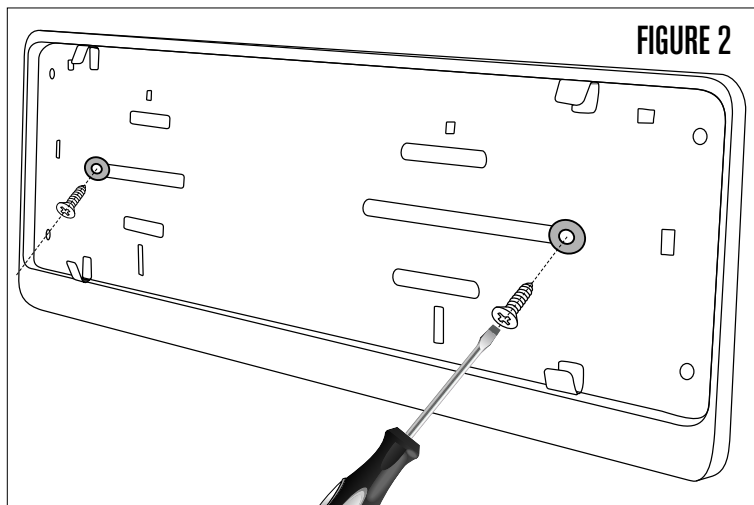
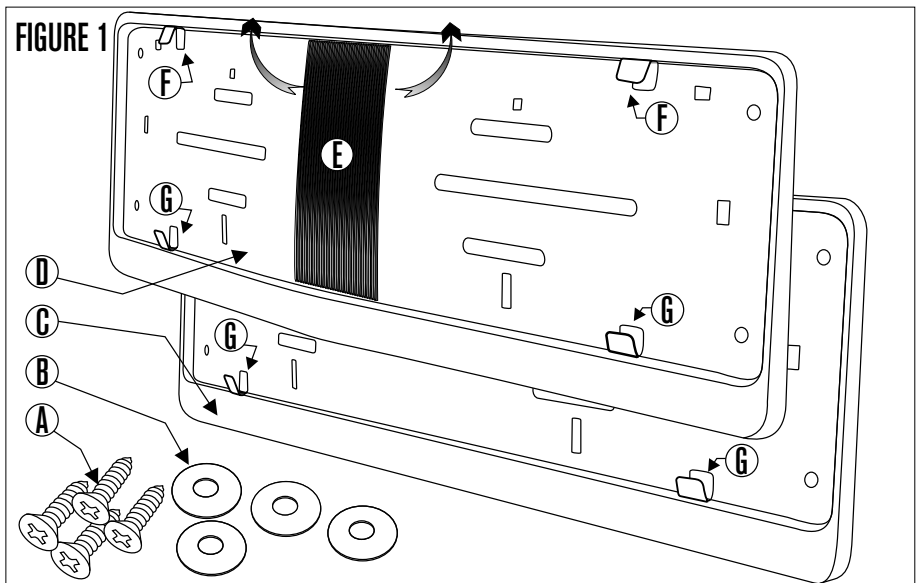
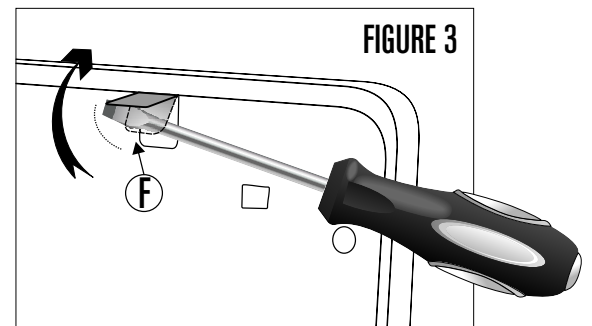


INSTALLATION INSTRUCTIONS

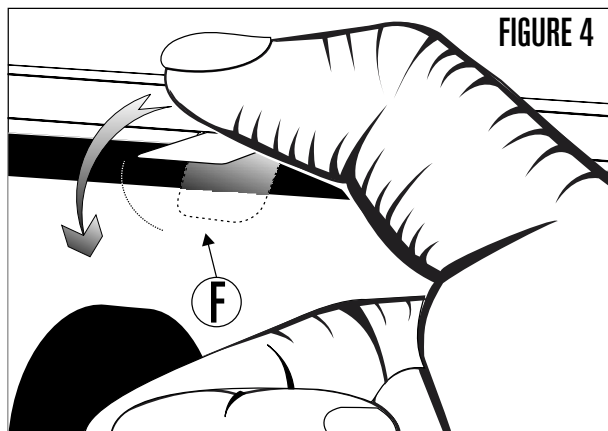
1. Remove contents from packaging and check for damage. Verify that all parts are present. Read instructions before attempting installation.
2. Adapt the front holder to the curve of the car then attach holder (D) using bolts (A,B) provided. (FIGURE 1)



3. Attach back holder (C) using bolts (A,B) provided in package. (FIGURE 2)



4. Pull up the two upper plate holders (F) in front of each holder using a screwdriver in a horizontal fashion. Repeat for both holders. (FIGURE 3)



5. Place the plate between the two lower holders (G) and push upper holders (F) back into their starting position. (FIGURE 4)